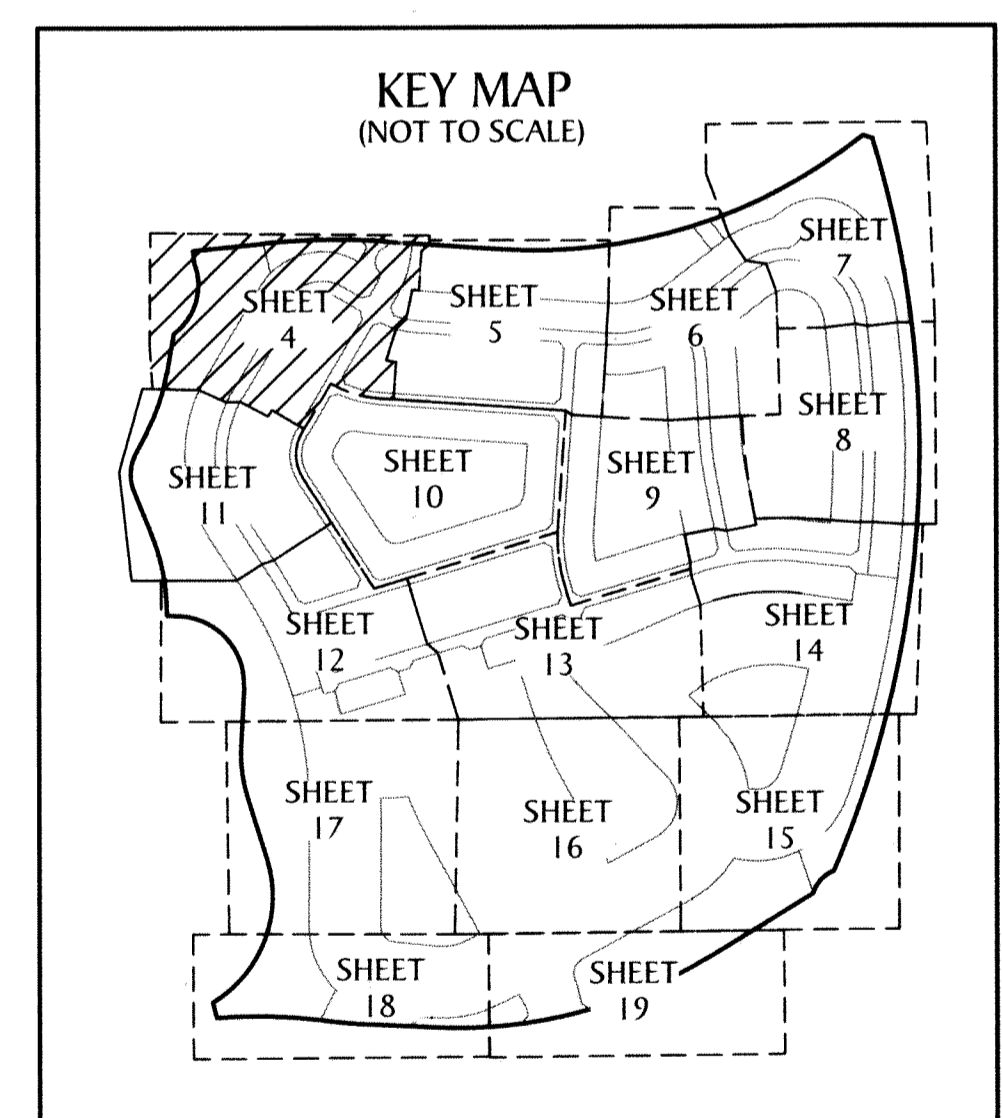
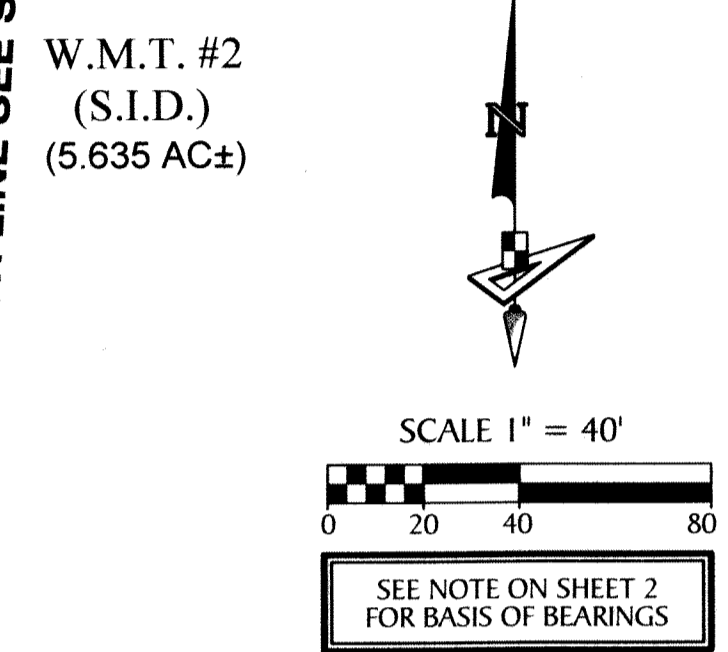
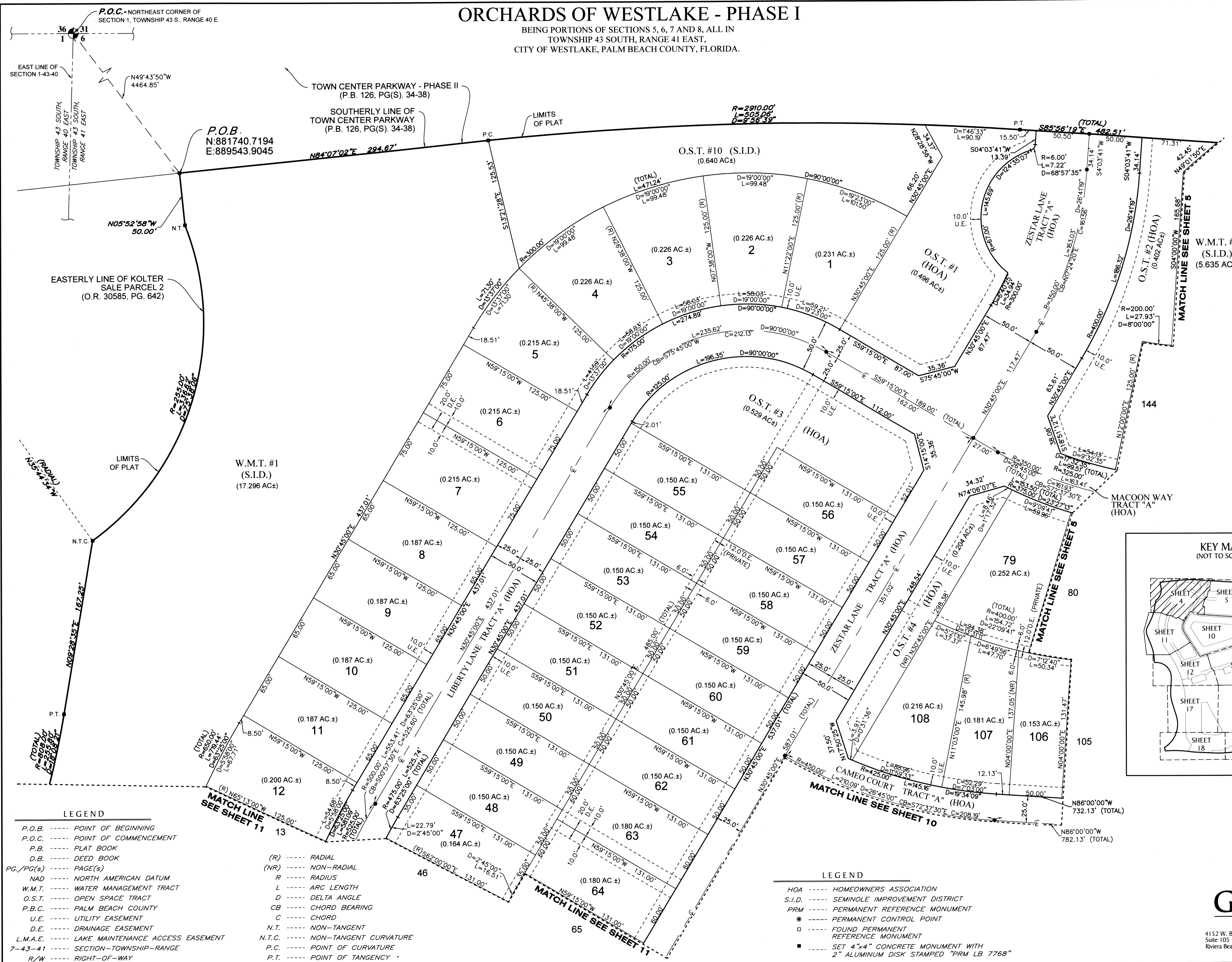


ORCHARDS OF WESTLAKE - PHASE I

BEING PORTIONS OF SECTIONS 5, 6, 7 AND 8, ALL IN
TOWNSHIP 43 SOUTH, RANGE 41 EAST,
CITY OF WESTLAKE, PALM BEACH COUNTY, FLORIDA.

195



- LEGEND**
- P.O.B. ----- POINT OF BEGINNING
 - P.O.C. ----- POINT OF COMMENCEMENT
 - P.B. ----- PLAT BOOK
 - D.B. ----- DEED BOOK
 - PG./PG(S) ----- PAGE(S)
 - NAD ----- NORTH AMERICAN DATUM
 - W.M.T. ----- WATER MANAGEMENT TRACT
 - O.S.T. ----- OPEN SPACE TRACT
 - P.B.C. ----- PALM BEACH COUNTY
 - U.E. ----- UTILITY EASEMENT
 - D.E. ----- DRAINAGE EASEMENT
 - L.M.A.E. ----- LAKE MAINTENANCE ACCESS EASEMENT
 - 7-43-41 ----- SECTION-TOWNSHIP-RANGE
 - R/W ----- RIGHT-OF-WAY

- (R) ----- RADIAL
- (NR) ----- NON-RADIAL
- R ----- RADIUS
- L ----- ARC LENGTH
- D ----- DELTA ANGLE
- CB ----- CHORD BEARING
- C ----- CHORD
- N.T. ----- NON-TANGENT
- N.T.C. ----- NON-TANGENT CURVATURE
- P.C. ----- POINT OF CURVATURE
- P.T. ----- POINT OF TANGENCY

- LEGEND**
- HOA ----- HOMEOWNERS ASSOCIATION
 - S.I.D. ----- SEMINOLE IMPROVEMENT DISTRICT
 - PRM ----- PERMANENT REFERENCE MONUMENT
 - ----- PERMANENT CONTROL POINT
 - ----- FOUND PERMANENT REFERENCE MONUMENT
 - ----- SET 4"x4" CONCRETE MONUMENT WITH 2" ALUMINUM DISK STAMPED "PRM LB 7768"

GeoPoint
Surveying, Inc.

4152 W. Blue Heron Blvd. Suite 105
Riviera Beach, FL 33404
Phone: (561) 444-2720
www.geopointsurvey.com
Licensed Business Number 187768
Sheet No. 4 of 19 Sheets